

88 SERIES

Multi Pot Bag Housing

The **88 Series** multi bag housings are designed for use with the industry standard **DuoLine G Series 7"** ring style bag. The top opening style is equipped with a Rathmann style bolted closure as standard for pressures up to 10 bar g.


A robust design with side in and bottom outlet connection, the **88 Series** is ideal for high flow, high dirt volume applications, where free draining and frequent process changes will take place.

Widely used in the paint, chemical & petrochemical industries the **88 Series** is available for 4, 6, 8 and 12 bags. With the Rathmann style bolted closure as standard and manual davit, its simple operation has proved highly successful in many applications around the world. The high build quality and wide ranging options list make these vessels suitable for all high flow bag applications.

The housing will accept the full range of Amazon and industry standard bags ranging from 1 to 1000µm with nominal lengths of 16" (P1), 32" (P2) and Amazon's own 48" triple length bag.

Product Features

- Standard bolted style closure
- Conventional dished end to aid cleandown
- Bead blasted finish inside and outside
- Wide range of options available for connection sizes, types and materials of construction
- Positive bag sealing mechanism to minimise risk of seal bypass
- Robust bag support basket assembly fabricated from perforated sheet rather than wire mesh for extra strength
- Rated at 10 bar g liquid
- PED and ATEX Compliant

Accessories	
Pressure Gauge and Vent Valve Kit	
Pressure Gauge and Auto Vent Valve Kit	
Displacement Pod	



Features and Benefits

- Wide range of options available for connection sizes and types and materials of construction
- Each housing is etched with a unique serial number for full traceability
- Full housing customisation service available

Product Range

Amazon Filters design and manufacture an extensive range of liquid filtration systems, providing one of the widest selections of filtration vessels, depth filters and pleated cartridges available today, ensuring excellent process and filter compatibility. As one of Europe's leading manufacturers of filtration systems, Amazon Filters is able to offer a solution to meet all filtration requirements. Amazons' filters are manufactured in clean room conditions and all products come with detailed Product Validation Guides and Technical Support documentation.



AMAZON

88 Series Technical Data

Maximum Operating Conditions

Pressure Range: Liquid: FV / 10 bar g
 Temperature Range: -10°C / 110°C

Materials of Construction

Body and Closure: 316L St.Steel
 304 St.Steel

Finish

Vessel: Bead Blast
 Basket: Pickled

Connections

Inlet/Outlet: 4" Flanged
 Vent: ½" BSPF with Plug
 Drain: 1" BSPM

Model	Dimensions					Volume (Litres)	Dry Weight (kg)
	A	B	C	D	E		
88041UJB40C**E	1123	990	350	375	400	238	253
88042UJB40C**E	1483	1350	350	375	750	247	286
88043UJB40C**E	1865	1730	350	375	1150	338	320

PED*/PESR** Status:

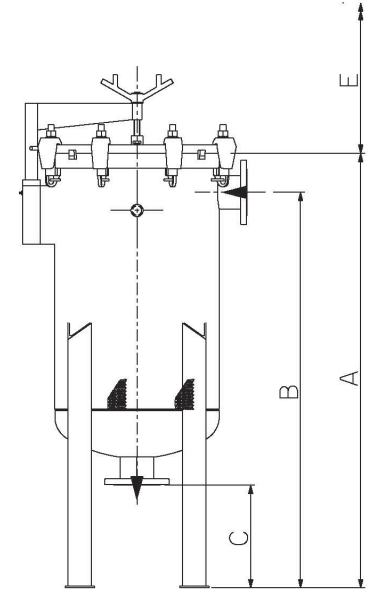
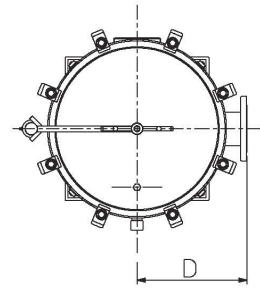
Compliant with PED 2014/68/EU and PESR 2016 No. 1105
 Fluid Groups: Liquids Group 1 + 2
 Marking: CE
 Exceptions: Group 1 liquids - Explosive

ATEX:

Compliant with 2014/34/EU and Explosive Atmosphere Regulations 2016
 II 2G Ex h IIC T110 Gb
 II 2D Ex h IIIC T110 Db

* Pressure Equipment Directive

** Pressure Equipment (Safety) Regulations No. 1105



Technical drawings for each individual housing showing dimensions, volume, weights, maximum temperatures and design pressures available on request.

Ordering Guide

8804	1	U	J	B	40	C	1	B	E
No of Bags	Bag Length	Bag Collar Style/Size	Closure Style	Mounting	Connection	Connection Type	Materials	Finish	Seal
04 - 4 Bags	1 - Single 2 - Double 3 - Triple	U - Universal (7") T - Universal with Perforated base (7") N - No Basket H - Ferrostik	J - Flat Cover with Screw Clamps and Davit	B - Fixed legs	40 - 4" 60 - 6"	C - EN1092-1 Flange PN16 G - Table E Flange H - ASME Flange 150# K - Stub Pipe S - DIN2633 Flange	1 - 316 St. Steel (L Grade) 2 - 304 St. Steel	B - Bead Blast	E - EPDM F - FEP / Silicone S - Silicone V - Viton

Example: 88041UJB40C1BE = 88 Series, Single length bag, universal 7" Bag collar, flat cover with screw clamps and davit, fixed legs mounting, 4"EN1092-1 Flanged PN16 connections. 316L St.Steel with bead blast finish and EPDM seals.

AMAZON FILTERS LTD.

Albany Estate, Camberley, Surrey, GU16 7PG, ENGLAND

Tel: +44 (0) 1276 670 600 Email: sales@amazonfilters.co.uk Web: www.amazonfilters.com